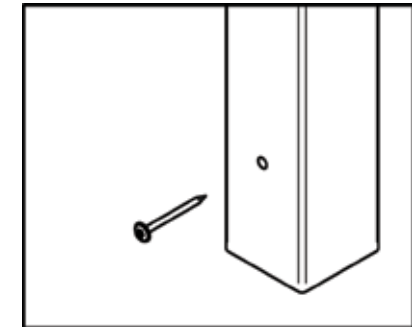
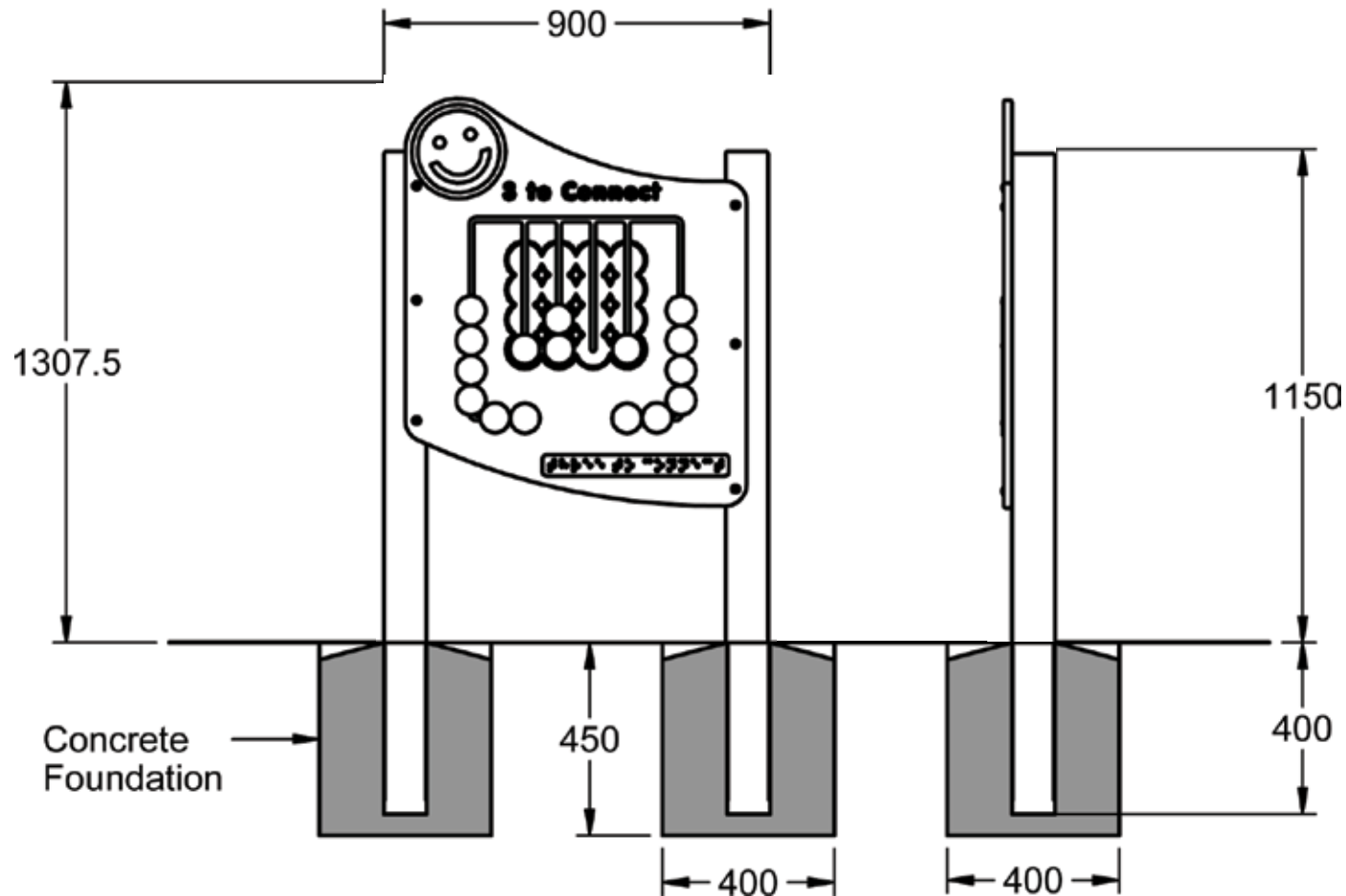
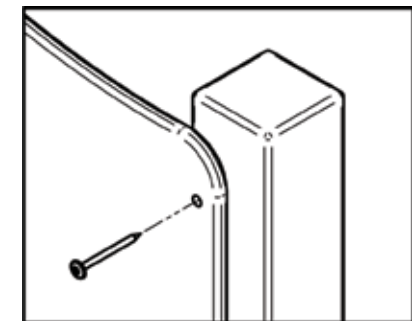




IP 302 3 to Connect - Footing Details



- Use a nail or a screw in the bottom of each post to act as foundation spur. (Not Supplied)



- Pre-drill Post with 5mm bit x 60mm deep.
- Fix panel to posts with 4x 80mm Flange Head Screws provided.

IP 302 3 to Connect - Safer Surfacing Details

