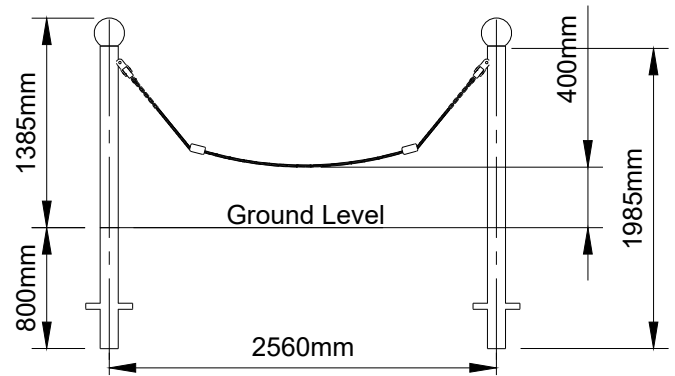


Data Sheet for IP34 Swing Easy Hammock



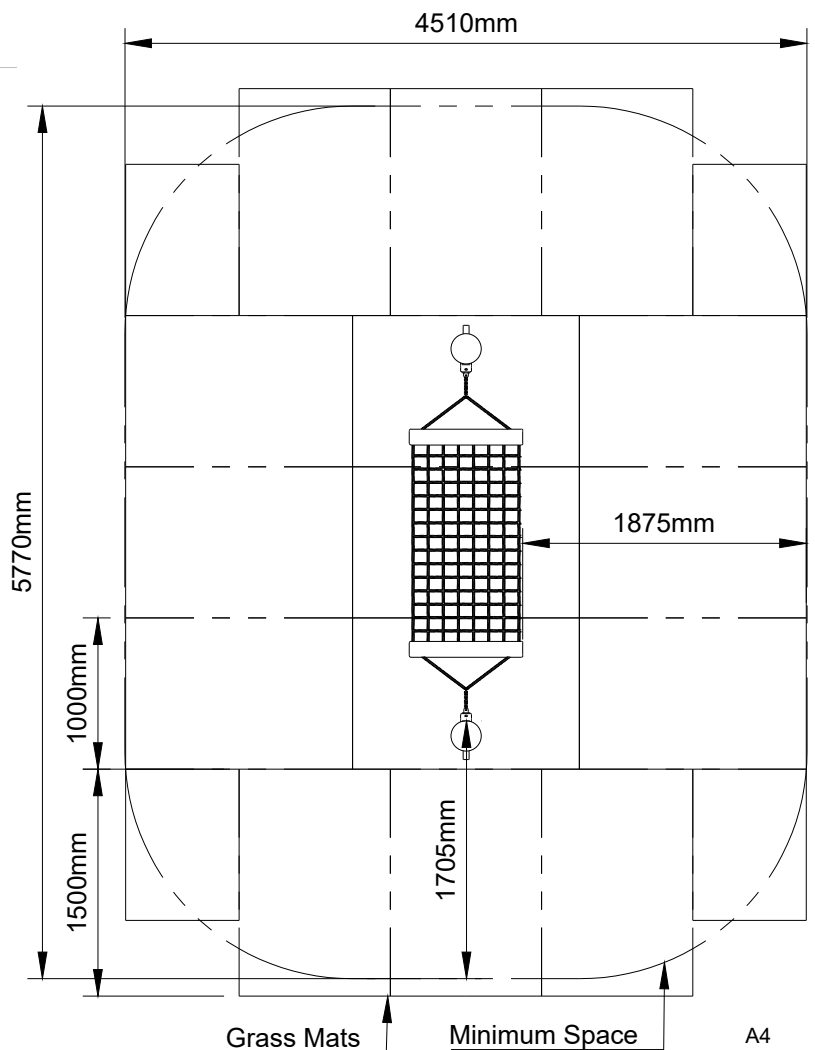
Swinging and Rocking

The Swing Easy Hammock has a curved net which provides supportive and comfortable seating for all users. With a net that sits 400mm above the ground, the low level access means children can get on and off the hammock with ease.

Used independently, the Swing Easy Hammock encourages confidence whilst stimulating the vestibular system. The wide net can fit up to two people, great for social swinging.



Scale: 1:50



Activities	Swinging, Rocking, supportive movement ,self propelled movement.
Features	Accessible height of 400mm
Age Range	3+ years
No. of Users	2
Falling Space	24m ²
FFH	1m
Materials	Galvanised and Powder Coated steel. Nylon Ropes. Stainless Steel Fixings.
Approx. Weight	50kg
Concrete Volume	0.28m ³



Call us +44(0)131 214 1180

www.inclusiveplay.com

info@inclusiveplay.com

© Copyright 2022 Inclusive Play (UK) Limited